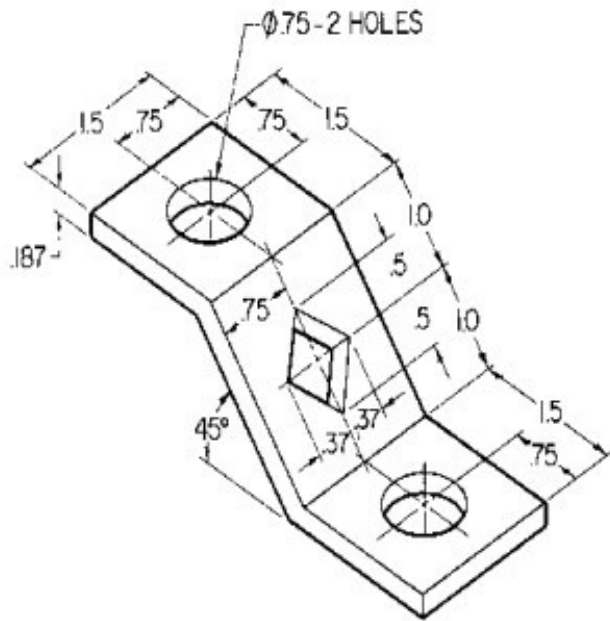
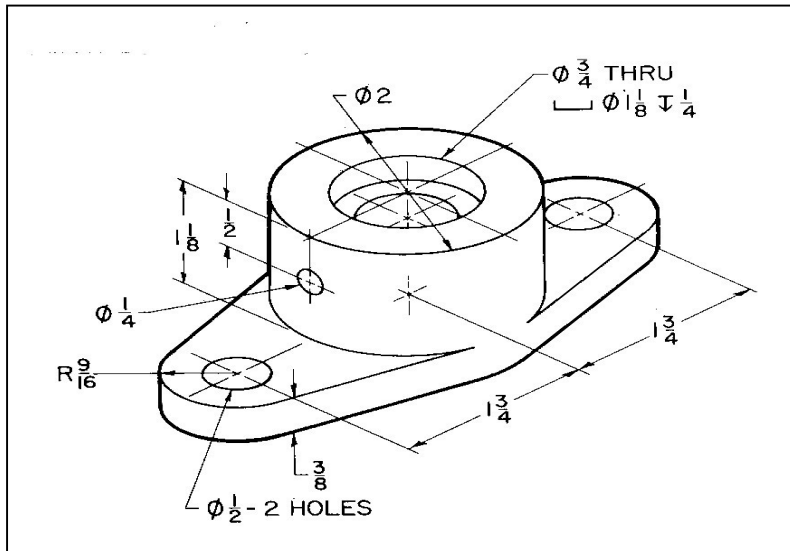


**2004 TENNESSEE TSA STATE CONFERENCE
TECHNICAL SKETCHING AND APPLICATIONS PRACTICAL CONTEST**



**Problem 11-11
Left Hanger Clamp**

1. Use a horizontal drawing sheet format
2. Allow 3 between front and top views
3. Locate the auxiliary view 1 ½ from the front view
4. Allow 2 ½ between the front and right side view.
5. The front view is ¾ from the left border.



**Problem 10-14
Left Hanger Clamp**

1. Draw the top and front views of the bracket and dimension to scale.
2. Allow 3 between front and top views
3. Include a broken out section through the ¼ diameter hole on one view.
4. Allow 2 ½ between the front and right side view.
5. The completed projects must be centered on your paper.